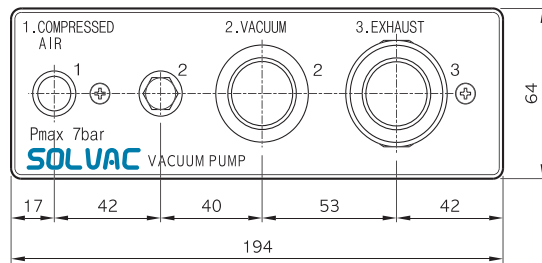


VACUUM PUMPS VMP-L 진공펌프



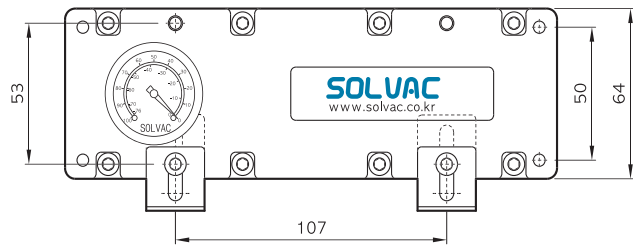
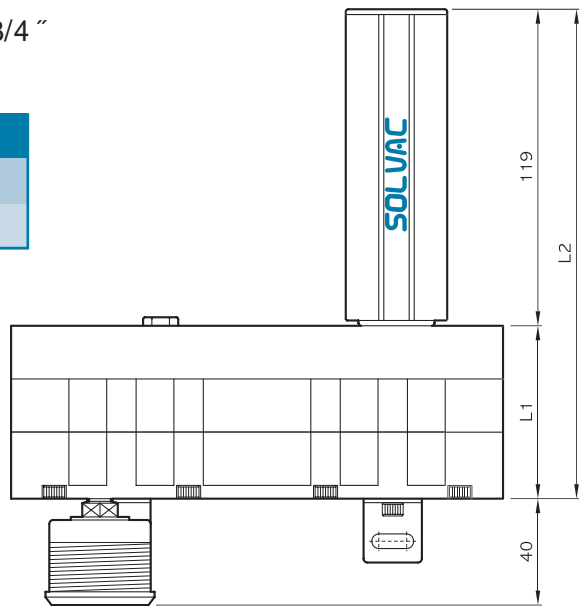
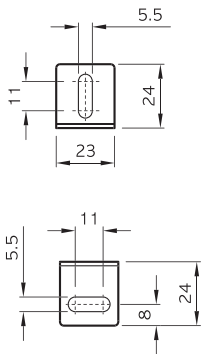
MEGA Series

VACUUM PUMP (VMP10L ~ VMP40L)



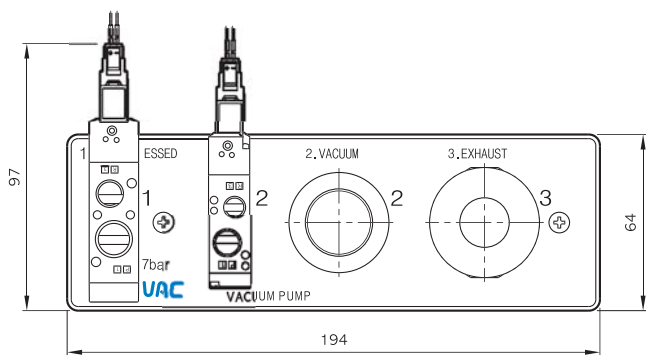
- 1. Compressed air PF 1/4 "
- 2. Vacuum PF 1/2 " or PF 3/4 "
- 3. Exhaust (Silencer) PF 3/4 "

VACUUM PUMP MODEL	L1	L2
VMP 10/20 L - V34 - N - X - X	45	164
VMP 30/40 L - V34 - N - X - X	65	184



MEGA Series

VACUUM PUMP (VMP10 - L ~ VMP40 - L)



- 1. Compressed air PF 1/4 "
- 2. Vacuum PF 3/4 " or PF 1/2 "
- 3. Exhaust (Silencer) PF 3/4 "

VACUUM PUMP MODEL	L1	L2
VMP 10L - V34 - N - M4 - R4	45	164
VMP 20L - V34 - N - M4 - R4		
VMP 30L - V34 - N - M4 - R4	65	184
VMP 40L - V34 - N - M4 - R4		

